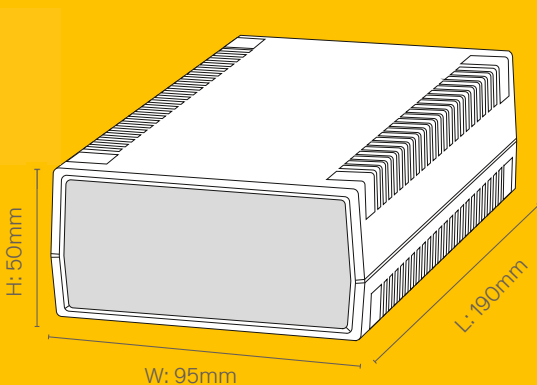


FIREM



PRODUCT	FireM
POWER REQUIREMENTS	24V DC
POWER CONSUMPTION	5W
AMBIENT CONDITIONS	Operating 0 to 40°C Dry indoor environment Storage -25 to 70°C
HUMIDITY	10 to 90% relative
LED INDICATORS	Power on
FIP INTERFACE	RS232 + RS485 SERIAL PORT COMMUNICATION INTERFACE
DIMENSIONS	50 X 95 X 190MM
UNIT WEIGHT	280G
CASING MATERIAL	HIGH- IMPACT ABS
PART NUMBER	FM012



*Illustration not to scale.

REAL-TIME FIRE MONITORING DEVICE

AU Product Specifications

DEVICE INFORMATION

FireM is an IoT Technology enabled end-to-end Advanced Fire Monitoring solution that identifies and maps the location of events within a building and interfaces to any fire, security or building management system.

Fire Indicator Panel (FIP) event information is transmitted to a dedicated cloud-based platform via an onboard sim card or secure ethernet gateway where it is transformed and accessible via the FireM web and mobile applications.

BENEFITS

- Interfaceable to any brand/model of Fire Indicator Panel (FIP)
- Provides real-time visibility on contractor activities (servicing/testing)
- Reduced on-site response time by providing users access to real-time information on where the fire event is located
- Identified recurring faults assisting with pro-active replacement of fire assets
- Interfaceable with your building block plans to provide a visual identification of where the event is located
- Indefinite capture and storage of FIP data including events and asset information
- Customisation of event notifications based on user access/role
- Reduced maintenance costs by streamlined contractor testing and reporting features
- Improves safe egress from facility in the event of a fire
- Reduced the need to rely on:
 - Radios
 - Pagers
 - Warden Intercom

APPLICATIONS

- Aged Care
- Hospitals
- Commercial Office Towers
- Defence
- Government Buildings
- Hospitals
- Hotels/Resorts
- Manufacturing Facilities
- Mining & Industrial
- Residential
- Retail
- Schools & Universities
- Stadiums

USERS

- Facility Managers
- Fire Service Contractors
- Maintenance Contractors
- Building Occupants
- Building/Facility Owners
- Fire Brigade
- 3rd Party Software Interface